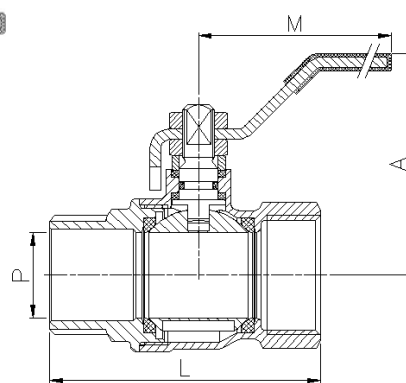
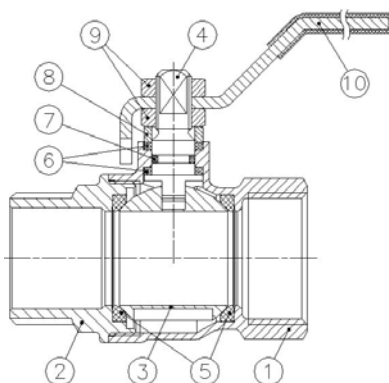


## Art.: 3034

### Válvula de esfera accionamiento palanca / Ball valve lever handle

| Características   | Features   |
|---|--|
| 1. Válvula esfera con paso total.                         | 1. Ball valve with full bore.                                  |
| 2. Construcción en latón s/ UNE-EN 12165 cromado.         | 2. Brass construction acc./ to UNE-EN 12165 chrome plated.     |
| 3. Extremos rosca gas (BSP) macho-hembra según ISO 228/1. | 3. Threaded male-female ends gas (BSP) according to ISO 228/1. |
| 4. Accionamiento mediante palanca de acero.               | 4. Working by means of steel lever handle.                     |
| 5. Temperatura de trabajo desde -20°C a 110°C.            | 5. Working temperature from -20°C to 110°C.                    |
| 6. Presión máxima de trabajo 25 bar (PN 25).              | 6. Maximum working pressure 25 bar (PN 25).                    |
| 7. Asientos PTFE.   | 7. PTFE Seats.   |



| Nº | Denominación / Name          | Material               | Acabado Superficial / Surface Treatment |
|----|------------------------------|------------------------|---|
| 1  | Cuerpo / Body                | Latón / Brass (CW617N) | Granallado + Cromado / Peened + Chromed |
| 2  | Tapa / Cap                   | Latón / Brass (CW617N) | Granallado + Cromado / Peened + Chromed |
| 3  | Esfera / Ball                | Latón / Brass (CW617N) | Cromado / Chrome plated                 |
| 4  | Eje / Stem                   | Latón / Brass (CW617N) | Cromado / Chrome plated                 |
| 5  | Asientos / Ball seats        | PTFE                   | -                                       |
| 6  | Anillo prensa / Stem packing | PTFE                   | -                                       |
| 7  | Tórica / O-Ring              | NBR                    | -                                       |
| 8  | Anillo prensa / Stem ring    | Latón / Brass          | Cromado / Chrome plated                 |
| 9  | Tuerca / Nut                 | Latón / Brass          | Cromado / Chrome plated                 |
| 10 | Maneta / Handle              | Acero / Steel          | Dacromet                                |

| Ref.    | Medida / Size | DN | Dimensiones / Dimensions (mm) |    |     |     | Peso / Weight (Kg) |
|---------|---------------|----|-------------------------------|----|-----|-----|--------------------|
|         |               |    | P                             | A  | L   | M   |                    |
| 3034 02 | 1/4"          | 10 | 10                            | 46 | 48  | 84  | 0,115              |
| 3034 03 | 3/8"          | 10 | 10                            | 46 | 49  | 84  | 0,120              |
| 3034 04 | 1/2"          | 15 | 15                            | 47 | 55  | 84  | 0,170              |
| 3034 05 | 3/4"          | 20 | 20                            | 58 | 64  | 98  | 0,275              |
| 3034 06 | 1"            | 25 | 25                            | 61 | 76  | 98  | 0,410              |
| 3034 07 | 1 1/4"        | 32 | 32                            | 74 | 87  | 126 | 0,650              |
| 3034 08 | 1 1/2"        | 40 | 40                            | 80 | 95  | 126 | 0,875              |
| 3034 09 | 2"            | 50 | 50                            | 91 | 109 | 158 | 1,370              |

## DIAGRAMA PÉRDIDA DE CARGA / HEAD LOSS CHART

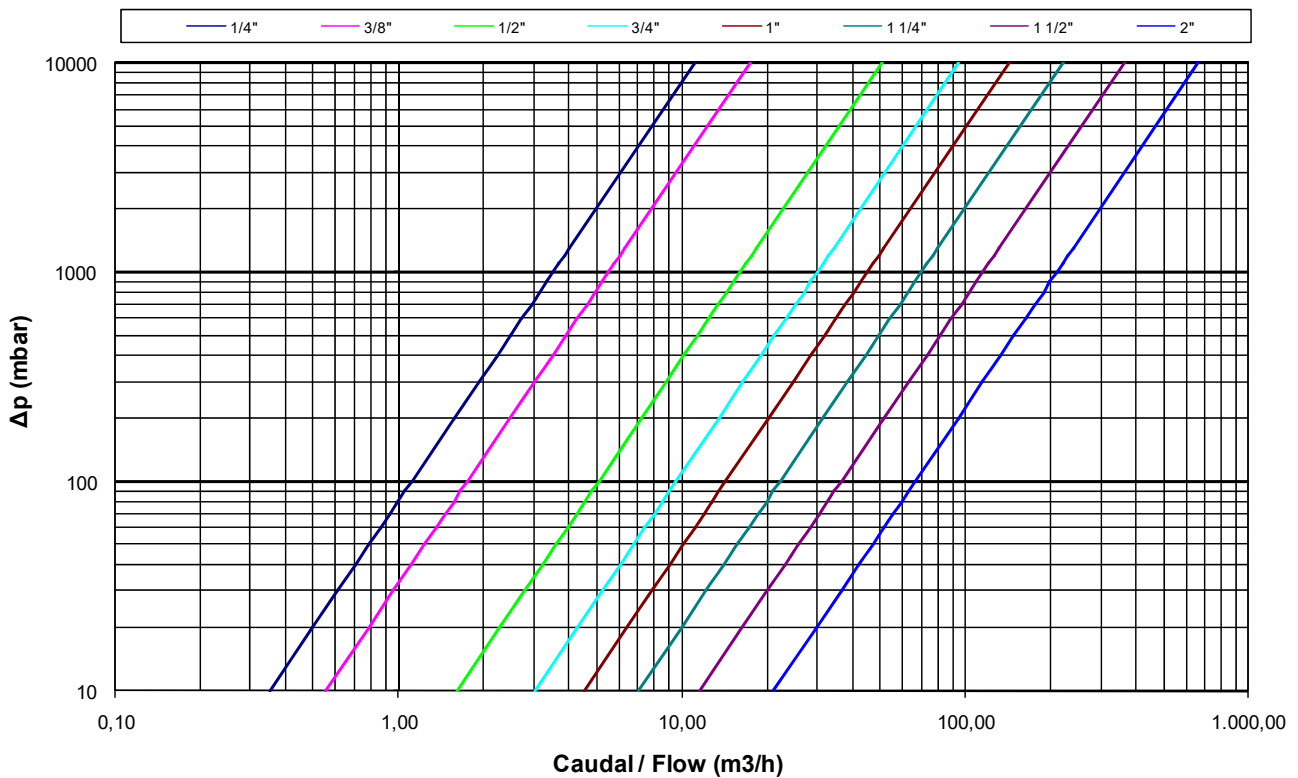
(Válvulas paso total roscadas / Threaded ends full bore ball valves)

Valores de Kv / Kv Values:

**Kv** = Es la cantidad de metros cúbicos por hora que pasará a través de la válvula generando una pérdida de carga de 1 bar.

**Kv** = The flow rate of water in cubic meters per hour that will generate a pressure drop of 1 bar across the valve.

| Medida / Size | 1/4" | 3/8" | 1/2" | 3/4" | 1" | 1 1/4" | 1 1/2" | 2"  |
|---------------|------|------|------|------|----|--------|--------|-----|
| Kv            | 3.5  | 5.5  | 16   | 30   | 45 | 70     | 115    | 210 |



## CURVA PRESIÓN - TEMPERATURA / PRESSURE - TEMPERATURE RATING

